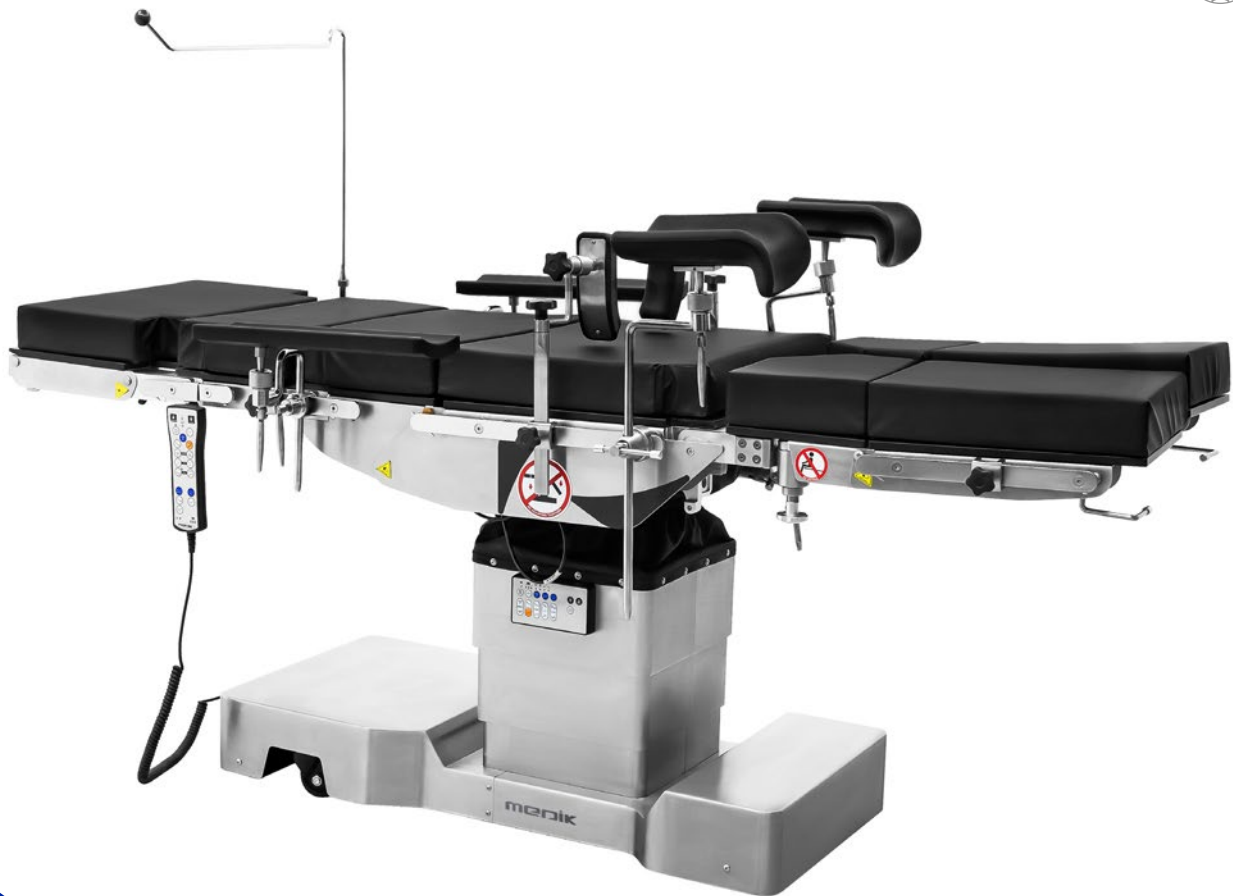


# YA-08EH

Modular Multi-function  
Electro-hydraulic Operation Table



*Better care  
Better comfort!*

# YA-08EH

## MODULAR MULTI-FUNCTION ELECTRO-HYDRAULIC OPERATION TABLE

The YA-08EH marks a milestone for medik's surgical table history. It stands out with the modular interchangeable platform for various surgical postions specially need complete translucent full body. The electro-hydraulic system gives the table with fast responding and powerful elevation. The versatile patient positions make the table as an ideal option for the hospital OR option.

### Main Features

- Equipped with 2 sets of surgical position memory functions, convenient for doctors to operate
- Electric brake design, easy to move or fix the operating table
- AISI304 stainless steel structure and chassis, which is easy to clean
- The operating table has a one-button reset function
- With movements of horizontal and longitudinal for C-arm photography examination
- One-button to operate re-flex and flex, easy to operate
- The bed surface is made of X-ray translucent material
- The head and foot section are interchangeable, which is convenient for C-arm or X-ray fluoroscopy without blind spots on the bed surface
- Sliding function, no need to move the patient, provides excellent patient full body perspective function
- The hook-type modular design is more stable

### Technical parameters

Model	YA-08EH
Table Length	2140mm ( 85.6")
Table Width	550mm( 22")
Table Height Range	550-1050mm (22" to 42")
Slide motion	300mm(12")
Back section up/down	85°/50°
Head section up/down	60°/90°
Leg section up/down	15°/90°
Leg section outward	90°
Reverse trendelenburg	30°
Trendelenburg	30°
Lateral tilt left/right	25°/25°
Load capacity	320kg

### Standard accessory

Headrest	1 pc
Armrest	1 pair
Waist support holder	1 pair
Shoulder support holder	1 pair
Leg support holder	1 pair
Footrest	1 pair
Anesthesia screen frame	1 pc
Body strap	1 set(optional)
Remote control	1 pc
Lateral controller inner constructed on side of table	1 set

## Main details



### Sliding function

Slide 12"(300mm)in both directions ensures unobstructed C-arm or X-ray imaging from any angle.



### Height adjust function

26" to 45" meets the needs of a wide range of clinical applications.



### Interchangeable head and foot sections

Modular design allows for interchangeable head and foot sections, and the hook design makes it more stable.



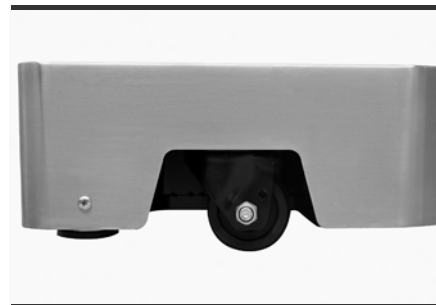
### Remote controller

The remote control can backlit display indicating status information, which ensures safe and easy handling even in the dark operation room.



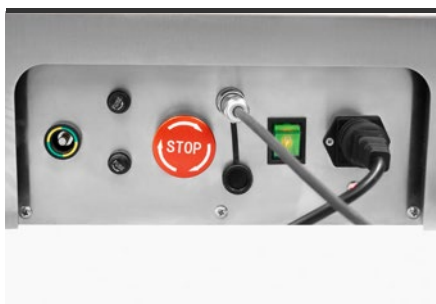
### Column control

Back up of the remote control, it is with backlit, It is more convenient and faster to operate.



### Electrically control castors

The electrically lockable castors can be easily controlled on the remote control.



### Emergency stop button

The base has an emergency stop button.

### Professional functions

Lowest height position  
**550mm**



Highest height position  
**1050mm**



Back section up motion  
**85°**



Back section down motion  
**50°**



Head section up  
**60°**



Head section down  
**90°**



Leg section motion  
**-90° to +15°**



Leg section outward  
**90°**



Slide motion  
**300mm**



Reverse trendelenburg  
**30°**



Trendelenburg  
**30°**



Lateral tilt left  
**25°**



Lateral tilt right  
**25°**



Flex position



Reflex position



## ABOUT US

Zhangjiagang Medi Medical Equipment Co.,Ltd, founded in 1995, with more than 20 years experience in developing hospital furniture, is one of the largest manufacturer of hospital bed, patient stretcher, medical cart and other related hospital furniture in China or even Asia.

Through scientific management complying with ISO9001&ISO13485, by adopting advanced facility like Germany TRUMPF CNC, Japan OTC Robot Welding, Auto-power coating line with Swiss GEMA gun , Medi focuses on providing brand quality product with CE approval.

Headquartered in Zhangjiagang nearby Shanghai, with subsidiary oversea offices in Hungary, Dubai, Thailand, New Zealand, Kenya, Colombia, Medi acting professionally and swiftly for both pre-sales and after-sales. The products are widely accepted by global clients, such as UK RIE hospital, UNIVERZITETNI KLINICNI CENTER, Kokilaben Dhirubhai Ambani Hospital, Singapore National University Hospital etc.



YOU TUBE



MEDIK

**Pls scan the QR code for more info**

**INFO@MEDIKSURGICAL.COM | +86 139 6223 1292**

Medik reserves the right to make changes without notice in design, specifications and models. The only warranty Medik makes is the express written warranty extended on the sale or rental of its products.

© 2022 Medik Services, Inc. ALL RIGHTS RESERVED. APR53703 rev 1 01-JAN-2022 ENG – US